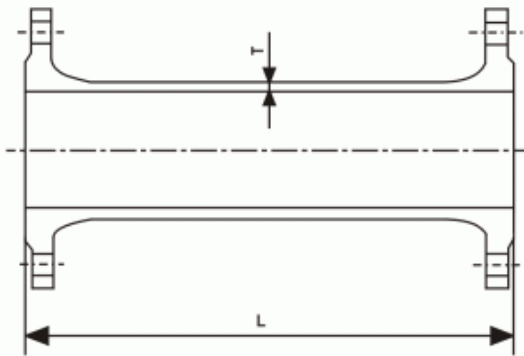
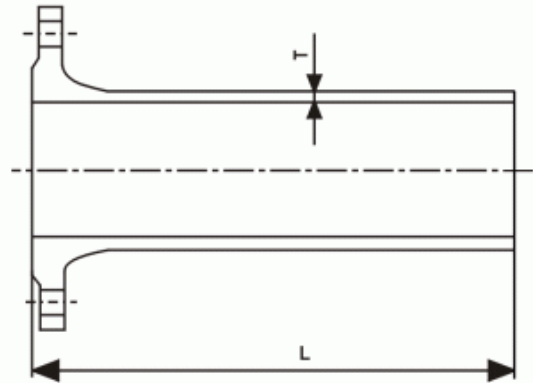




Flanged Short Pipe (Integral casting)



■ Type F1



■ Type F2

Note: The length can be specified by purchaser, but Length 2m.

Unit: mm

Nominal size	Thickness	Barrel per 1m (kg/m)	Weight of Flange (kg)			
			7.5 K	10 K	16 K	20 K
75	8.5	16.13	3.77	2.28	3.00	3.29
100	8.5	20.91	4.55	2.75	3.98	4.33
150	9.0	32.35	6.22	5.59	7.73	8.90
200	11.0	51.64	8.06	6.75	9.89	11.20
250	12.0	69.98	11.50	10.70	16.50	19.60
300	12.5	87.13	14.20	11.40	19.70	23.10
350	13.0	105.41	18.80	13.40	26.00	30.00
400	14.0	129.44	21.80	19.40	36.00	42.80
450	14.5	150.57	28.30	24.70	47.30	55.50
500	15.0	172.85	32.00	28.30	56.30	65.40
600	16.0	220.96	38.90	39.00	75.00	86.10
700	17.0	273.41	49.90	52.10	98.20	143.00
800	18.0	330.74	66.10	67.70	132.00	213.00
900	19.0	392.64	85.30	80.30	156.00	256.00
1000	20.0	458.68	101.00	100.00	207.00	-
1100	21.0	529.73	120.00	122.00	237.00	-
1200	22.0	604.87	140.00	152.00	287.00	-
1350	24.0	741.80	181.00	194.00	369.00	-
1500	26.0	892.39	216.00	239.00	451.00	-
1600	27.5	1002.24	275.00	295.00	-	-
1650	28.0	1052.23	286.00	308.00	-	-
1800	30.0	1225.10	318.00	358.00	-	-
2000	32.0	1458.44	360.00	421.00	-	-
2100	33.0	1579.62	386.00	461.00	-	-
2200	34.0	1715.32	424.00	494.00	-	-
2400	36.0	1958.54	538.00	651.00	-	-
2600	37.5	2229.25	549.00	683.00	-	-